

Engine Cold Weather Kit W/Diverter Assembly Instructions



Treker 4200/4400 NT Series

Manual No. 701-094M

Before You Start



When you see this symbol, the subsequent instructions and warnings are serious - follow without exception. Your life and the lives of others depend on it!

These optional assembly instructions contain only information required to assemble the Engine Cold Weather Kit to the NT Series Treker. A detailed Operator's Manual was supplied with the Treker. Refer to the Operator's Manual for additional specific information especially information relating to safety concerns. Also included in the Operator's Manual is important information on operation, adjustment, troubleshooting, and maintenance for this attachment (some manual sections do not apply to all options).

A separate Parts Manual for replacement parts can be purchased from your dealer or available free of charge at www.landpride.com. Have model and serial numbers handy when placing an order.

Manual Part Numbers:

- Operator's Manual 700-108M
- Parts Manual 700-108P

General Information

This Engine Cold Weather Kit w/Diverter applies to:
Treker 4200/4400 NT Series Kit No. 701-092A

The Engine Cold Weather kit is designed to prevent or eliminate effects of carburetor icing on the 20hp Honda engine for Land Pride Trekers. Carburetor icing may occur at temperatures of 45 degrees Fahrenheit and lower. Typical symptoms will be loss of power, hard starting, engine backfiring, plug fouling, gas in the oil, or engine stalling. Application of this kit will force warm air directly into the air intake filter reducing or eliminating the icing condition and its related symptoms. Vehicles started at freezing temperatures should be allowed to warm-up for approximately 4-5 minutes prior to full vehicle operation. When outdoor temperatures are consistently above 45 degrees Fahrenheit, the air bypass valve should be turned to the summer setting to bypass air away from the engine exhaust manifold or a noticeable power loss will occur. The oil and filter must be changed if plugs have become fouled and if the dipstick indicates an oil overfill condition with gas in the oil. Do not overfill engine with oil or plug fouling will likely reoccur.

Tools required:

- 3/8" Nut driver & drill
- 1/2" Wrench or socket and driver

- 9/16" Wrench or socket and driver
- 13 mm Socket
- Straight blade screwdriver
- Cross blade screwdriver
- Knife

Assembly Instructions

A detailed listing of parts for Kit No. 701-092A is provided on page 3. Use the list as a checklist to inventory parts received.

Initial Preparations



CAUTION!

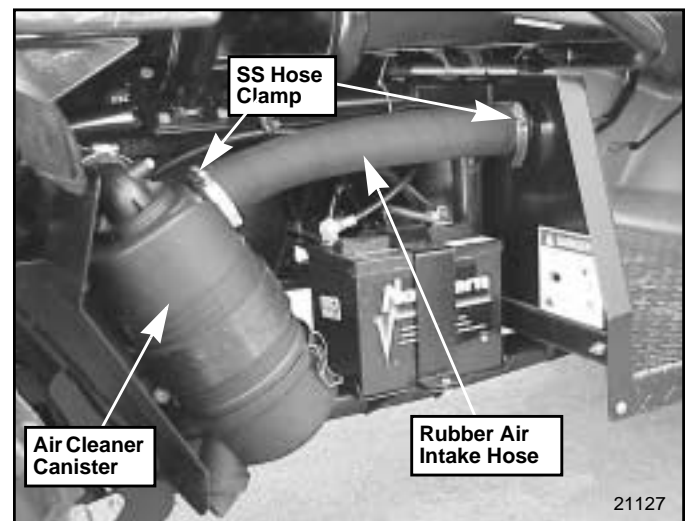
Securely support cargo box in the up position to prevent injury when working under the cargo box.

1. Park vehicle on a flat surface, move gear shift lever to neutral, set park brake, and chock front and back of the right rear wheel to prevent the vehicle from rolling.
2. Raise cargo box fully up and securely support it in the up position to prevent injury while working around the engine.
3. Turn off engine and remove ignition key.

Refer to Figure 1:

4. Loosen the two worm drive hose clamps securing the rubber air intake hose and save for reuse.
5. Remove rubber air intake hose and save for modification and reinstallation.

NOTE: It is not necessary to disconnect engine snorkel and snorkel hose.



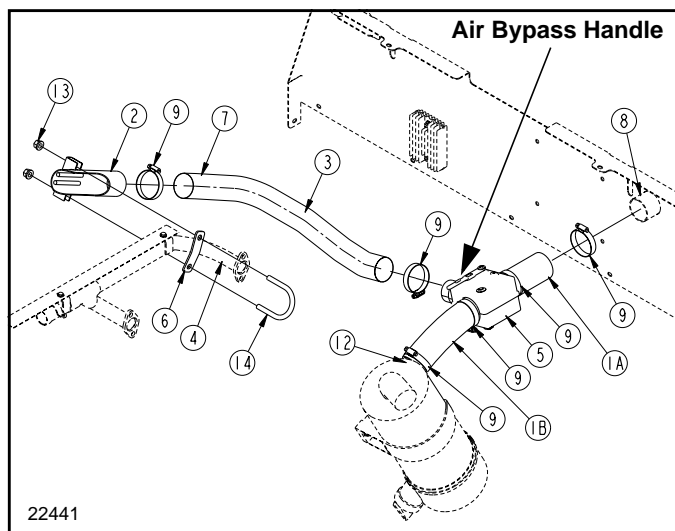
Existing Air Intake Assembly
Figure 1

Assembly Instructions

Air Intake Installation

Refer to Figure 3:

1. Refer to air hose (#1A). Cut one end of existing air intake hose to 4 1/4" long.
1. Orient air diverter assembly (#5) as shown.
2. Slip two worm drive hose clamps (#9) over the air intake hose (#1A). Insert air hose (#1A) over the air intake nozzle (#8) and over the air diverter (#5) nozzle. Do not tighten hose clamps.
3. Refer to air hose (#1B). Measure the distance between the diverter assembly (#5) nozzle to the air filter inlet nozzle (#10). Add 2" to this distance and cut the other end of the air intake hose to this length.
4. Slip two worm drive hose clamps (#9) over the cut to length air intake hose (#1B). Insert air intake hose (#1B) over air diverter (#5) nozzle and air intake nozzle of air filter canister (#12). Do not tighten hose clamps.
5. Expand the flexible heat riser tube (#3) to approximately 30". Be careful not to deform the tube while expanding it.

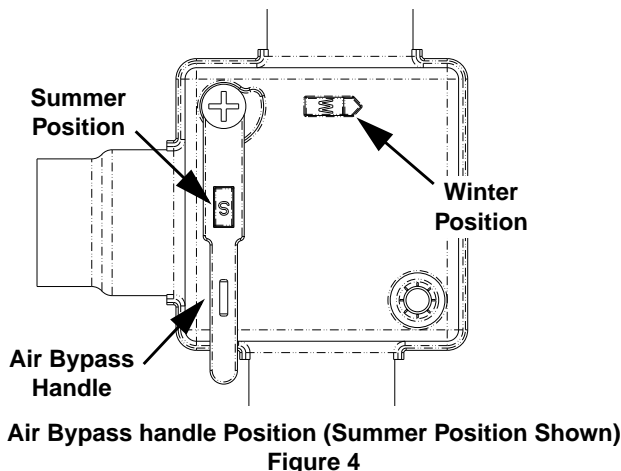


Air Intake Installation
Figure 3

6. Slip two worm drive hose clamps (#9) over the flexible heat riser tube (#3). Insert flexible heat riser tube (#3) over air diverter (#5) nozzle and heat tube weldment (#2). Do not tighten hose clamps.
7. Clamp heat tube weldment (#2) to engine exhaust manifold (#4) with 2" U-bolt (#14), clamp plate (#6) and 3/8" hex nuts (#13). Torque nuts to 20 ft. lbs.
8. Tighten all six worm drive hose clamps (#9).

Refer to Figure 4:

9. Rotate the air bypass handle counter clockwise to the winter position marked with a "W" when temperatures are below 45 degrees Fahrenheit. Rotate the air bypass handle clockwise to summer position marked with a "S" when temperatures are above 45 degrees Fahrenheit.

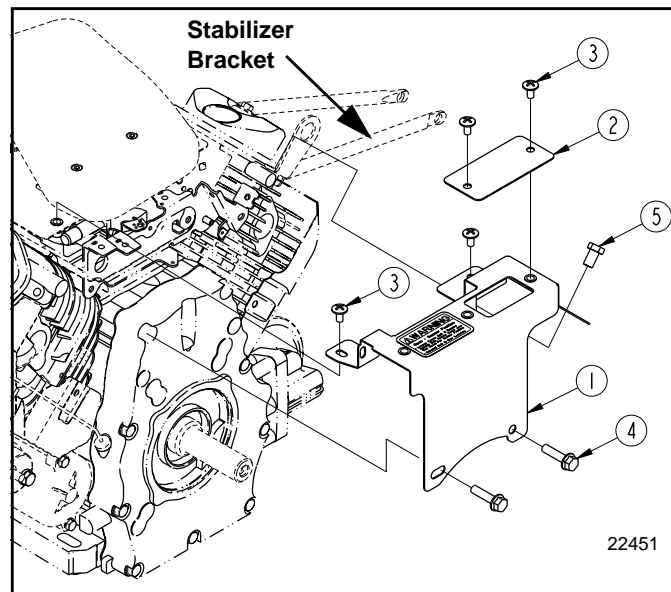


Air Bypass handle Position (Summer Position Shown)
Figure 4

Throttle Heat Shield Installation

Refer to Figure 5:

1. Remove M8 hex flange cap screw (#5) from engine stabilizer bracket.
1. Position heat shield cover assembly (#1) onto engine housing as shown. Make certain the heat shield is positioned under the engine stabilizer bracket.
2. Secure heat shield with two 1/4" x 1/2" phillips head machine screws (#3), two 5/16" x 1 1/4" hex flange head screws (#4) and replace the M8 hex flange cap screw (#5).
3. Torque 1/4" phillips heads machine screws to 5.6 ft. lbs, 5/16" hex head screws to 17 ft. lbs. and M8 hex cap screws to 19 ft. lbs.
4. Warm air cover (#2) should be secured over the heat shield opening when temperatures are below 45 degrees Fahrenheit and over the warning decal when temperatures are above 45 degrees Fahrenheit.



Heat Shield Installation
Figure 5

Listing of Parts

Kit No. 701-092A ENGINE COLD WEATHER KIT W/DIVERter 00NT

Qty.	Part No.	Part Description
1	700-204H	HEAT TUBE WELDMENT
1	700-226S	AIR DIVERter ASSEMBLY NT
1	700-258S	HEAT SHIELD COVER SUB-ASSY NT
1	700-267D	CLAMP PLATE
1	700-271D	2" HEAT RISER TUBE 36.0" LG
1	701-094M	ENGINE COLD WEATHER KIT MANUAL 00NT
4	800-259C	CLAMP WORM DRIVE #36SS (1.81-2.75)



Corporate Office: P.O. Box 5060
Salina, Kansas 67402-5060 USA
www.landpride.com
